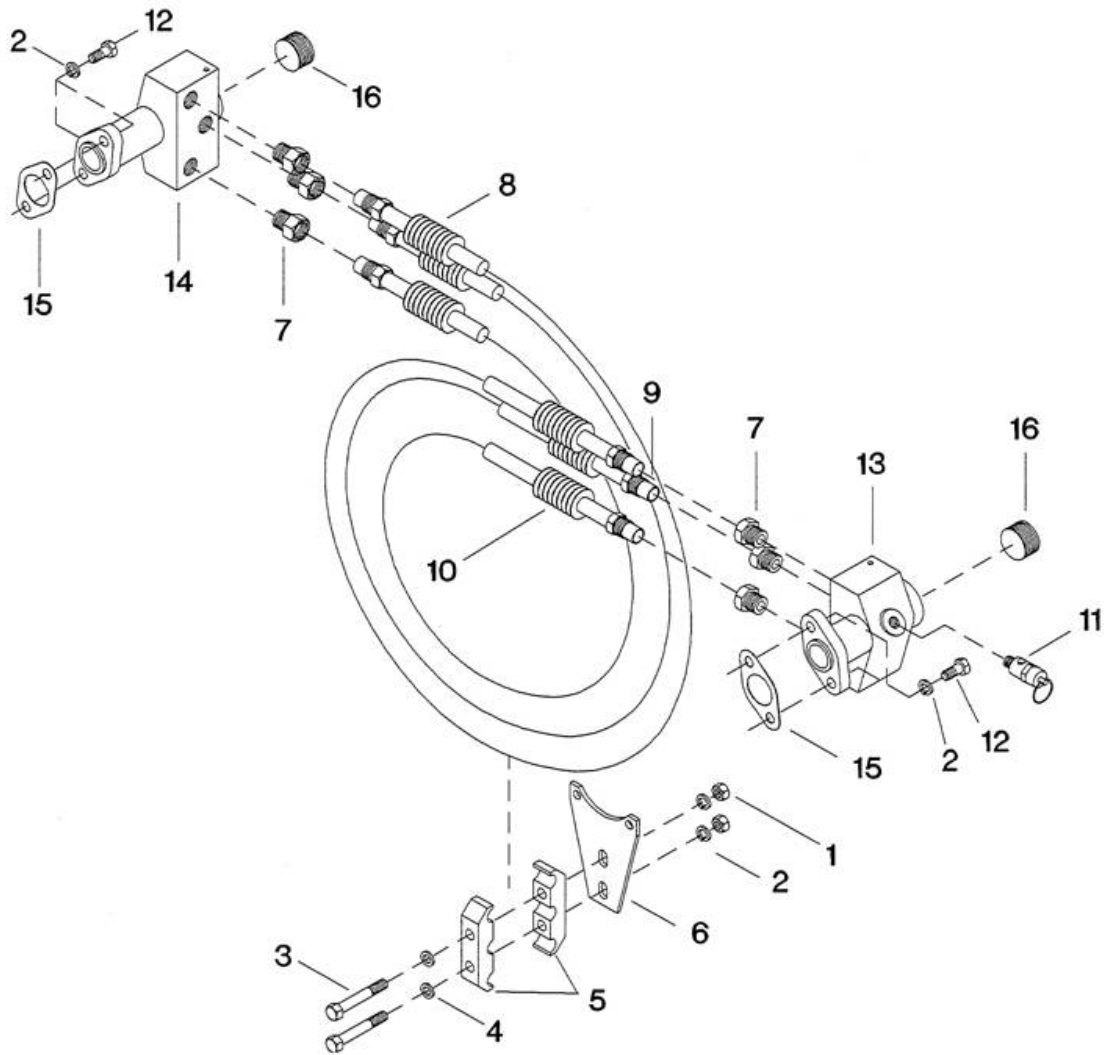


5. Intercooler Assembly - Model 2545



All manufacturer's names, numbers, photos, product description and/or part numbers are used for reference purposes only & it is not implied that any part listed is the product of these manufacturers. Since Approvement are made from time to time, the illustration and specifications are subject to change without notice.

5. Intercooler Assembly - Model 2545

REF. NO.	PART NO.	DESCRIPTION	QTY.	SPARES		
				1	2	3
Ref.	32188666	ASSEMBLY, INTERCOOLER	1			
5-1	95077764	NUT, HEX - 3/8-16	2			
5-2	95081857	LOCKWASHER, SPRING - 3/8"	6			
5-3	95079646	CAPSCREW, HEX - 3/8-16X2-1/2"	2			
5-4	95069597	WASHER, FLAT - 3/8"	2			
5-5	32294159	CLAMP, INTERCOOLER	2			
5-6	32294142	BRACKET, INTERCOOLER CLAMP	1			
5-7	95083226	CONNECTOR, MALE - 5/8X1/2"	6			
5-8	32211708	ASSEMBLY, TUBE - #3 INTERCOOLER	1		1	2
5-9	32211690	ASSEMBLY, TUBE - #2 INTERCOOLER	1		1	2
5-10	32211682	ASSEMBLY, TUBE - #1 INTERCOOLER	1		1	2
5-11	72062185	VALVE, RELIEF - 80 PSIG	1			2
5-12	95468443	CAPSCREW, HEX - 3/8-16X1"	4			
5-13	32185787	MANIFOLD, HEAD - LP	1			
5-14	32185795	MANIFOLD, HEAD - HP	1			
5-15	32188377	GASKET, MANIFOLD	2	2	2	4
5-16	95101457	PLUG, PIPE - SQUARE COUNTERSUNK - 1"	2			

All manufacturer's names, numbers, photos, product description and/or part numbers are used for reference purposes only & it is not implied that any part listed is the product of these manufacturers. Since Approvement are made from time to time, the illustration and specifications are subject to change without notice.